

TOOLS AND MATERIALS NEEDED

Hammer	Screw Driver / Screw Gun
Level	Circular Saw / Miter Saw
Tape Measure	10d & 4d Finish Nails
Utility Knife	Shims
Wood Putty	Caulk
5/0 Sandpaper (180 grit)	
6/0 Sandpaper (220 grit, or finer)	
Finishing Material (paint/stain)	

SAFETY: Always use personal protective equipment (safety glasses, gloves, ear protection, etc.). Some door units are heavy and may require two people to lift and install. Use proper lifting techniques and follow safe working practices.

BI-FOLD FINISHED OPENING CHART

ACTUAL PANEL SIZE	NOMINAL	FINISHED OPENING WIDTH	FINISHED OPENING HEIGHT
11¾" x 79"	24"	24¼"	81"
14¾" x 79"	30"	30¼"	81"
17¾" x 79"	36"	36¼"	81"

NOMINAL	FINISHED OPENING WIDTH	FINISHED OPENING HEIGHT
48"(2-24")	47¼"	81"
60"(2-30")	59¼"	81"
72"(2-36")	71¼"	81"

Note: Bi-fold height can be trimmed a total of 1" (1/2" top / 1/2" bottom) to accommodate a smaller opening, width cannot be trimmed. Finished opening width: allows for 1/4" on each side of opening.

FINISHING INSTRUCTIONS

Preparing Your New Door For Finishing

1. Mask or remove any hardware (hinges, handles, etc.). Mask glass if applicable before painting or staining.
2. Sand the entire surface lightly using 5/0 sandpaper (180 grit) before you apply first coat of finish. Always sand in the direction of the wood grain, see Figure 1.
3. Wipe dust and sand grit from the door with clean cloth. Avoid using abrasive or caustic cleaners.

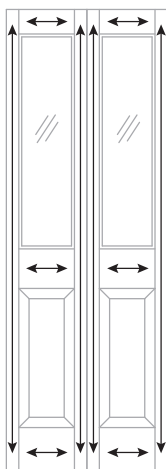


Figure 1

Note – Always follow the stain manufacturer's instructions.

Staining/Finishing Your Wood Door

1. Complete steps 1-3 for Preparing Your New Door For Finishing. Apply a base coat of pre-sealer on all six sides of door before staining. This is especially important on pine and maple doors.
2. Stain door to desired color following stain manufacturer's instructions. Always stain in the direction of the wood grain, see Figure 1.
3. For best results, apply at least two clear top coats over stain, sanding lightly between coats. Use 6/0 (220 grit) or finer sandpaper. Make sure that stain and top coat are compatible materials.

Painting Primed Door

1. Complete steps 1-3 for Preparing Your New Door For Finishing. Although primed door does not require sanding prior to finishing, light sanding (180 grit) will allow for optimum adhesion of paint.
2. Finish the door with two coats of latex, oil-base or lacquer paint. Make sure to allow door to completely dry between coats on all six sides of door. Always paint in the direction of the wood grain, see Figure 1.



INSTRUCTIONS

1700FD SERIES FOLDING DOOR HARDWARE

For 3/4" (19mm) to
1-3/4" (45mm) Panels
weighing up to 40 lbs. (18 kgs) each.

Para paneles de 19mm a 45mm
y de hasta 18kg cada uno.

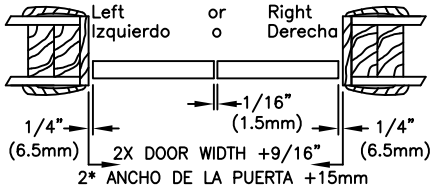
PREPARE OPENING CAREFULLY

MAKE SURE CORNERS ARE SQUARE, HEADER IS LEVEL AND JAMBS ARE STRAIGHT.

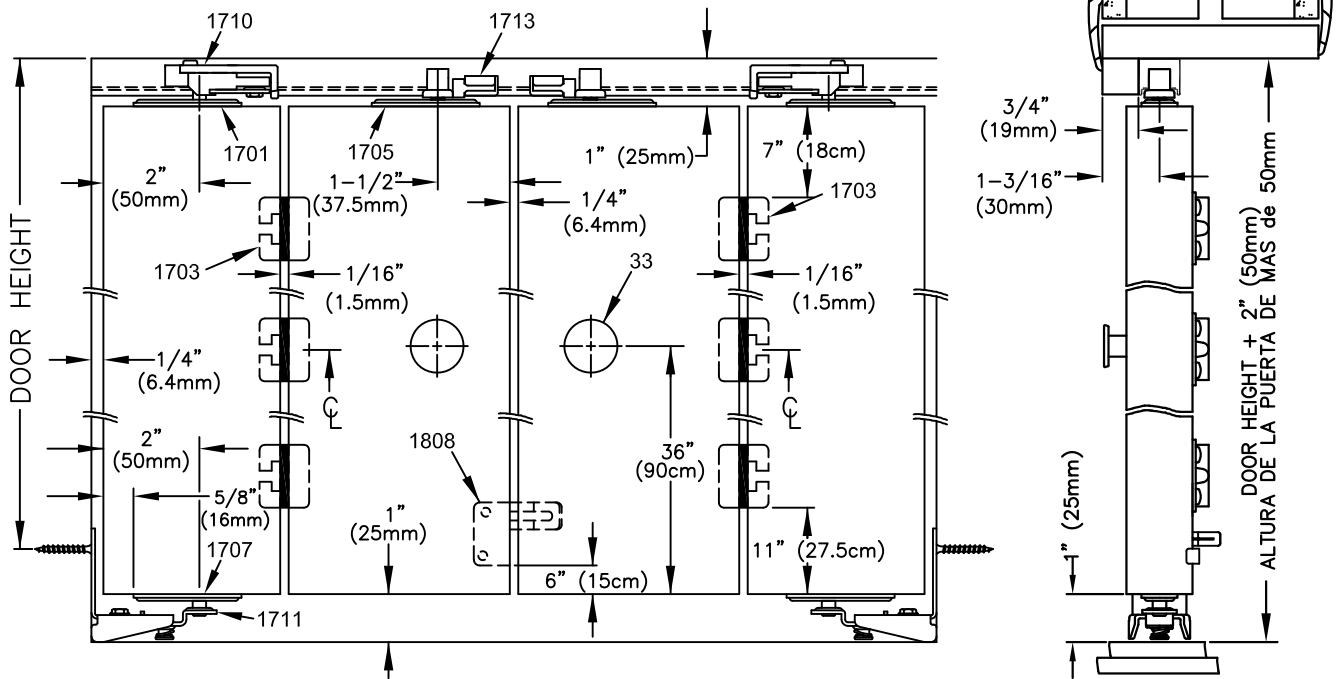
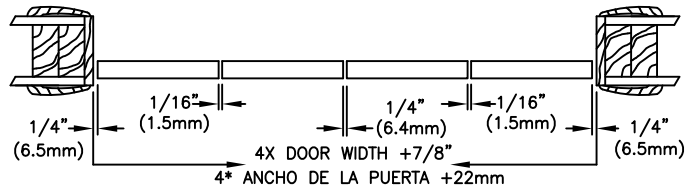
PREPARE LA ABERTURA CON CUIDADO:

ASEGÚRESE QUE LAS ESQUINAS, ESTÉN EN ESCUADRA, QUE LA CABECERA ESTE NIVELADA, Y QUE LAS JAMBAS ESTÉN RECTAS.

2 DOOR, PUERTA

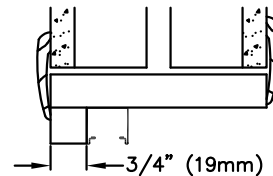


4 DOOR, PUERTA



1 MOUNT TRACK 3/4" (19mm) from front edge of head jamb.

INSTALE EL RIEL a 19mm del borde de enfrente del encabezador de jamba.

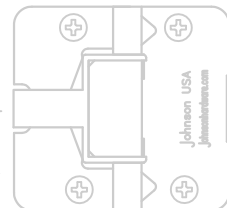


2 MOUNT HINGES (1703) on back of door. Lay panels face down on a flat surface.

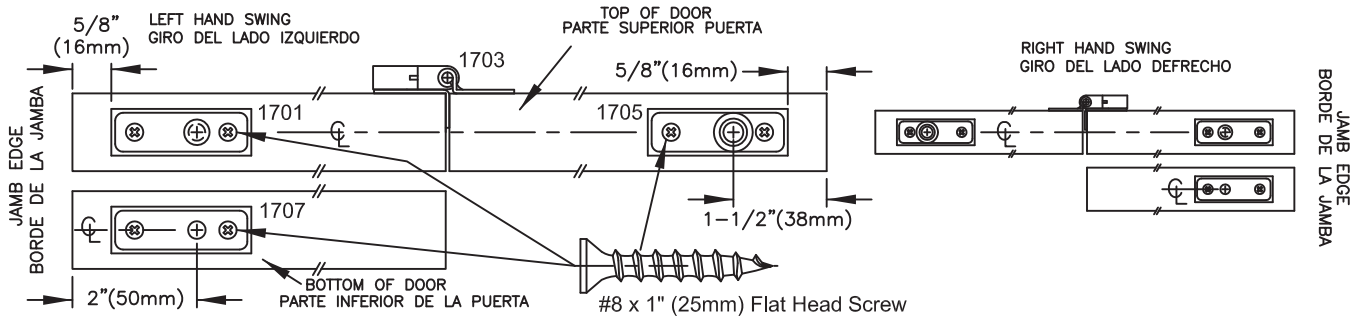
INSTALE LAS BISAGRAS (1703) en la parte trasera de la puerta. Coloque los paneles boca abajo en una superficie plana.

Your Hinges Should Already Be Attached To Your Bifold Door(s).

JAMB DOOR
JAMBA DE LA PUERTA

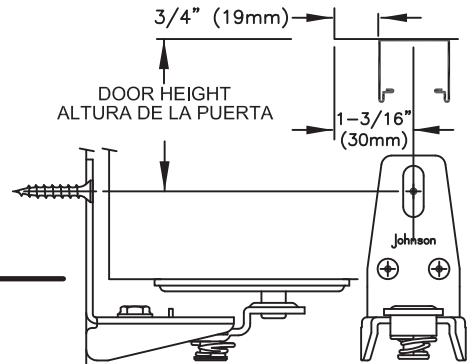


3 FASTEN PIVOT PLATES to top and bottom of doors as shown.
COLOQUE LAS PLACAS GIRATORIAS arriba y abajo de las puertas como se muestra.



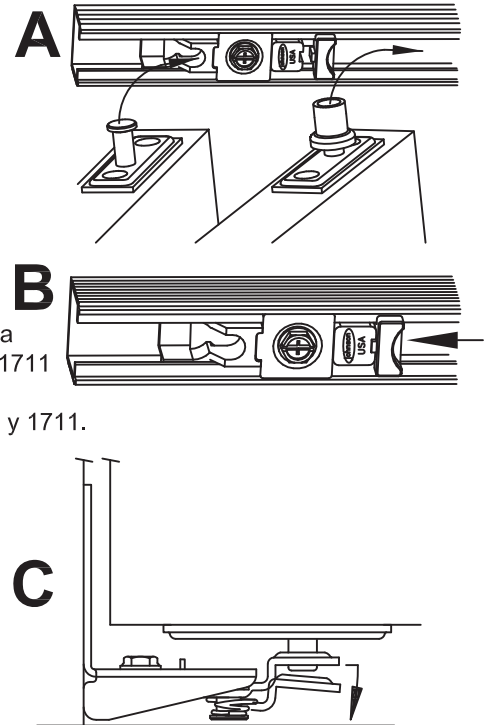
4 MARK LOCATION of Jamb Bracket (1711) on jamb. Fasten 1711 in place with one #8 X 1-1/4" (32mm) flat head screw.

MARQUE EL SITO del Soporte de la Jamba (1711) en la jamba. Coloque el 1711 en su lugar con un tornillo de cabeza plana #8 X 32mm.



5 HANG DOORS: Make sure Track Pivot Lock (1710) is in the unlocked position. (A) Fold doors and insert 1705 into track groove. Place 1701 into receptor of 1710. (B) When firmly seated, slide tab lock toward pin. Door now should be hanging from 1701. (C) Depress 1711 pivot socket arm and insert 1707. If no vertical adjustment is needed, secure 1711 with other 2 screws. Use 1712 wrench for horizontal adjustment of 1710 and 1711.

CUELGUE LAS PUERTAS: Asegúrese que la cerradura giratoria del riel (1710) esté en la posición abierta. (A) Doble las puertas e inserte el 1705 en la ranura del riel. Coloque el 1701 en el receptor del 1710. (B) Cuando está bien asentada, haga deslizar la aleta de ajuste hacia el pasador. La puerta ahora debe estar colgada del 1701. (C) Oprime el brazo de la base del pivote 1711 e inserte el 1707. Si no necesita ningún ajuste vertical, asegure el 1711 con 2 tornillos más. Use la liave de tuercas 1712 para el ajuste horizontal del 1710 y 1711.



6 MOUNT KNOB (33). See drawing on front page.
MOUNT ALIGNER (1808) on back side of lead doors (4 door only).

INSTALE LA PERILLA (33). Vea dibujo en la página de enfrente.
INSTALE EL ALINEADOR (1808) en el lado trasero de las puertas de polomo. (en los juegos de 4 puertas solamente).

7 ADJUST SNUBBER (1713) Close doors, slide 1713 until it touches 1705. Open doors, move 1713 1/8" (3mm) closer to 1705 and tighten. Doors should "snap" shut yet open easily by a slight pull on the knob.

ADJUSTE EL FRENO AMORTIGUADOR (1713) Cierre las puertas, haga deslizar el 1713 hasta que toque puertas abiertas 1705, mueva el 1713 a 3mm más cerca del 1705 y ajústelo. Las puertas adeben cerrarse como resorte, pero deben abrirse fácilmente, jalando ligeramente la perilla.